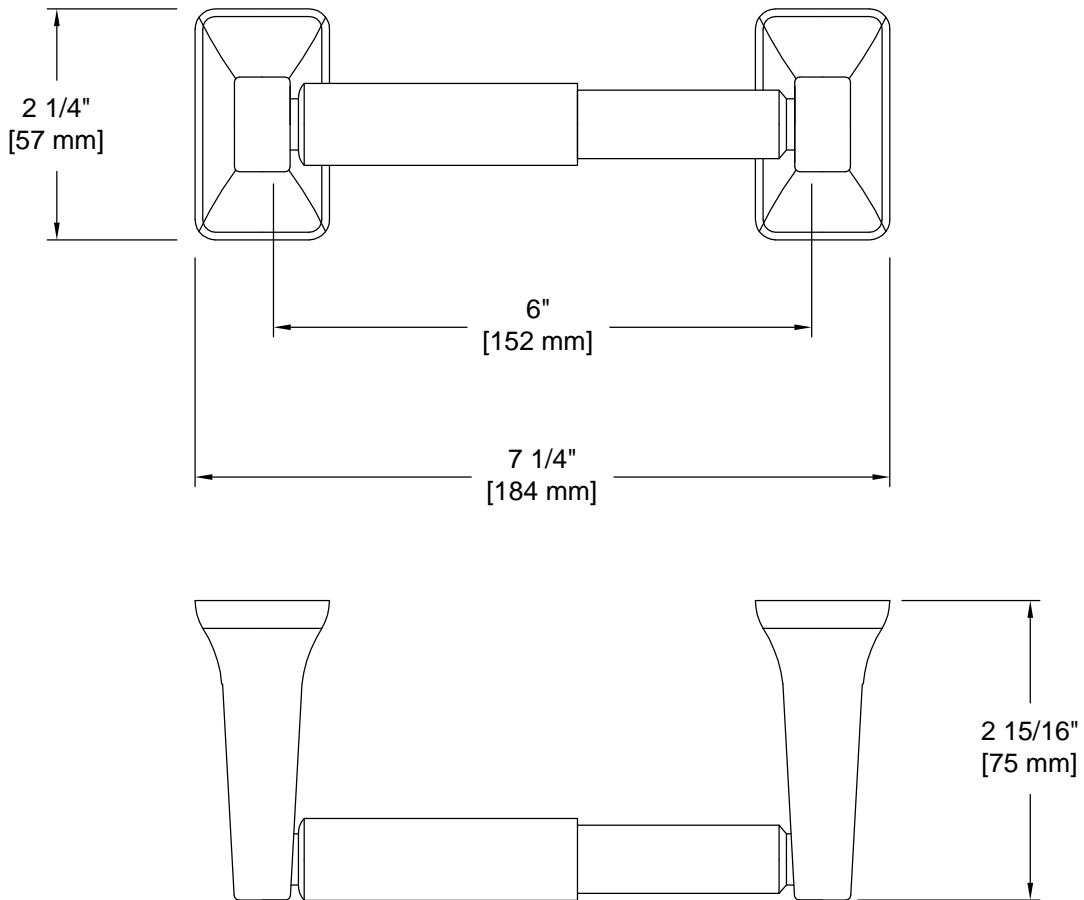


PRODUCT DATA SHEET

Product Description: Surface toilet tissue holder, Sea Breeze. Posts are fabricated from die cast zinc with a US15 satin nickel finish. Ships with mounting hardware.



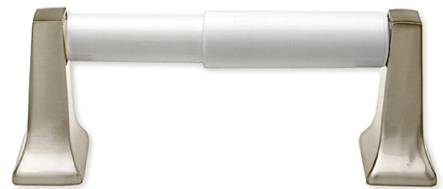
Overall Size: 7 1/4" W X 2 1/4" H X 2 15/16" D

Material: Zinc Posts, White Plastic Roller

Finish: US15 Satin Nickel

Cross Reference

| Manufacturer | Part Number |
|--------------|-------------|
| | |
| | |
| | |



Description:
**Toilet Tissue Holder,
 Surface, Sea Breeze**

Part Number:
12032

| | |
|---------------|------------|
| Date 06/10 | Rev. 01 |
|---------------|------------|