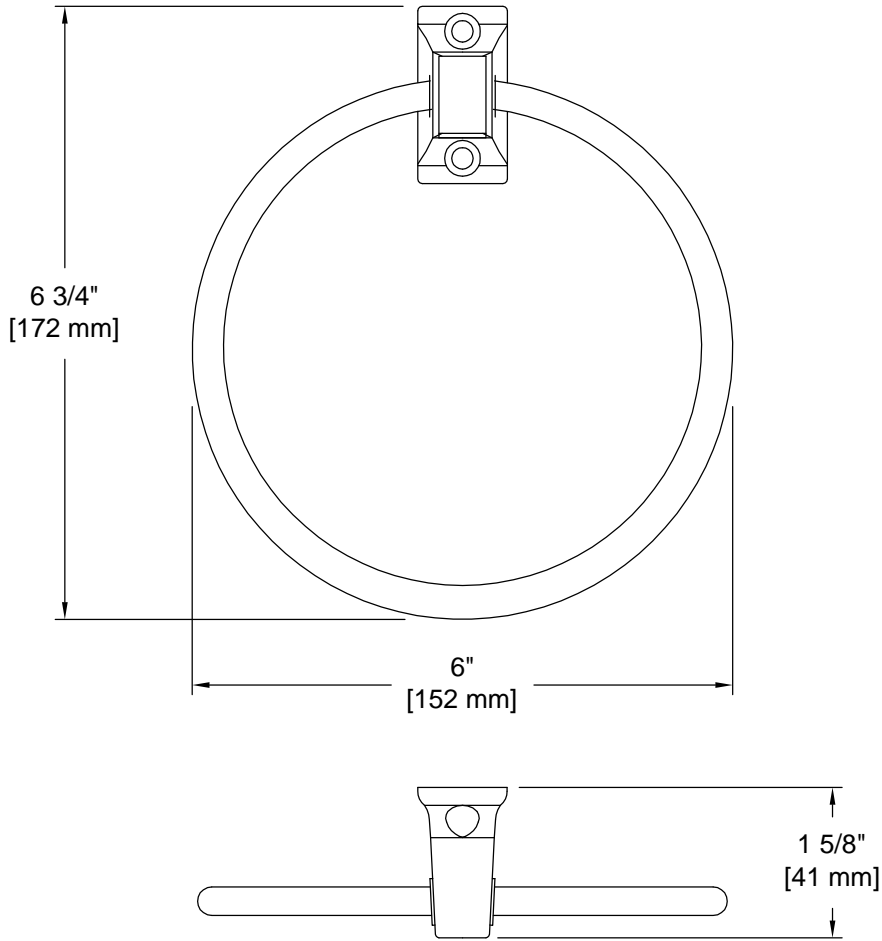


PRODUCT DATA SHEET

Product Description: Towel ring, Flamingo. Post is fabricated from die cast zinc with a US26 bright chrome finish. Ring is fabricated from stainless steel with a US26 bright chrome finish. Ships with mounting hardware.



Overall Size: 6" W X 6 3/4" H X 1 5/8" D

Material: Zinc Post, Stainless Steel Ring

Finish: US26 Bright Chrome

Cross Reference

Manufacturer	Part Number



Description:

**Towel Ring,
Flamingo**

Part Number:

11033

Date

06/10

Rev.

02