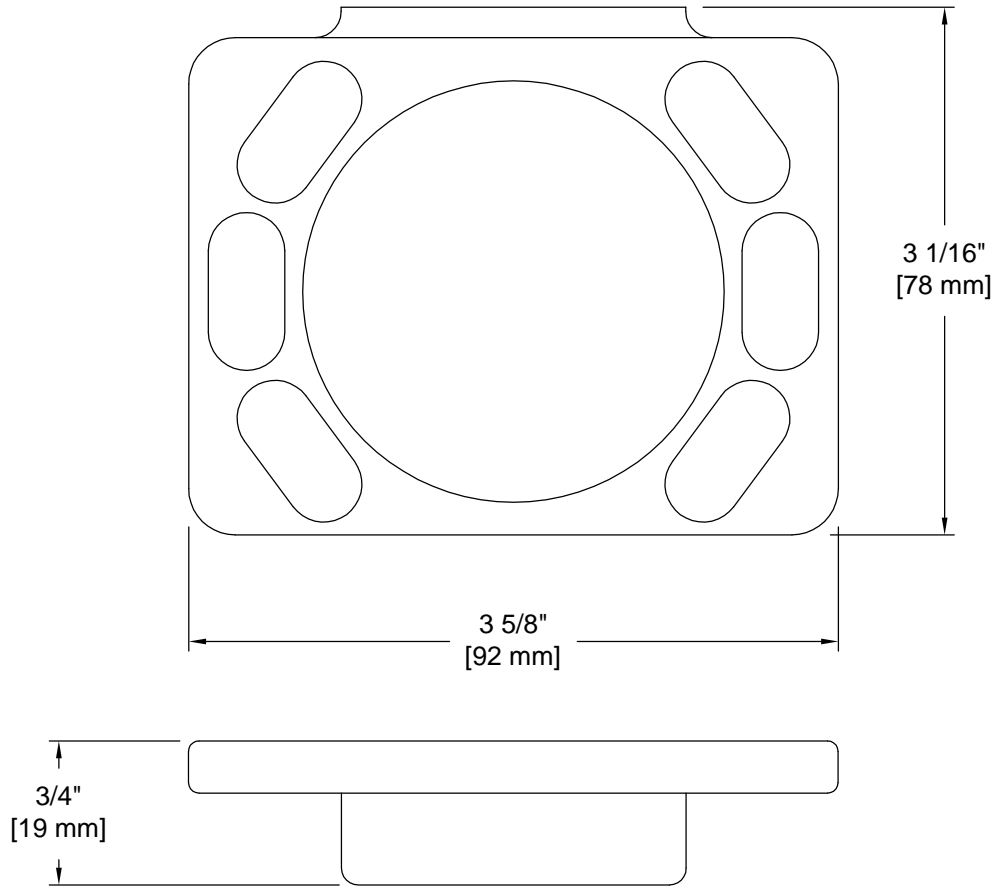


PRODUCT DATA SHEET

Product Description: Toothbrush and tumbler holder, Flamingo. Fabricated from die cast zinc with a US26 bright chrome finish. Ships with mounting hardware.



Overall Size: 3 5/8" W X 3/4" H X 3 1/16" D

Material: Zinc

Finish: US26 Bright Chrome

Cross Reference

Manufacturer	Part Number



Description:

**Toothbrush And
Tumbler Holder,
Flamingo**

Part Number:

11031

Date

06/10

Rev.

02